



YANMAR YT235 & Attachments



2022 • 2021 • 2020 • 2019 • 2018
EQUIPMENT DEALERS ASSOCIATION
SURVEY | TRACTOR MANUFACTURERS

**PRODUCT
QUALITY**

YT235



HISTORY

1912

Over 100 years of history. Founded as Yamaoka Hatsudoki Kosakusho, a company with a mission to build the most reliable, compact and efficient engines for farmers, fishermen and other trades and businesses.

1933

83 years of diesel engines. Developed the world's first commercially successful small horizontal water-cooled diesel engine with a cold-start system.

1967

The first YANMAR tractor. From the beginning, YANMAR tractors like the 23 horsepower Model YM273 use YANMAR water-cooled diesel engines.

1979

YANMAR Tractor (USA) Inc. begins operations in North America.

LOVE YOUR LAND LOVE YOUR YANMAR

We each have our own unique relationship to the land. Some of us tend to its creatures. Some of us rely on it for food. And some of us just enjoy basking in its endlessly evolving beauty. What we all share is a common dedication to the soil and a commitment to put back into it more than we take out of it.

This love of the land and a passion for the environment has guided YANMAR for more than 100 years. Our story began with one simple and powerful tenet: “To conserve fuel is to serve mankind.”

Our commitment to the planet and our dedication to serving all of you who serve the land has never been more evident than in our new line of YT compact utility tractors.

1992

Millions of diesels. The 10 millionth YANMAR diesel engine is produced and sold.

2006

Advancing tractor technology. The first generation of HMT (hydromechanical transmission) technology for YANMAR tractors is introduced.

2016

YANMAR launches the YT Series tractors with i-HMT, the most efficient, powerful and productive line in its 104-year history.

2017

YANMAR EVO//CENTER opens Fall 2017, YANMAR America training and customer experience facility in Acworth, Georgia.



**YT235 WITH FACTORY-INSTALLED
CAB WITH HEAT & A/C, LOADER,
AND BOX SCRAPER**



Engine



Love your **efficiency.**

Whether a simple job or a complex dig, the YT235 has you covered. As with every YANMAR tractor, the true beauty lies in the engine.

FOUNDER'S SPIRIT: “TO CONSERVE FUEL IS TO SERVE MANKIND.”

Magokichi Yamaoka, Founder of
YANMAR



2022 • 2021 • 2020 • 2019 • 2018

EQUIPMENT DEALERS ASSOCIATION
SURVEY | TRACTOR MANUFACTURERS

**PRODUCT
QUALITY**

The Environmental Engine

In 1996, YANMAR was the first manufacturer to have a diesel engine certified under the EPA process. Today's new emissions standards are much more rigorous, requiring a 90 percent reduction in particulate matter compared to the previous measure. YANMAR diesel engines, besides being extremely powerful and efficient, are exceptionally clean and quiet. In fact, the engines in our YT line far surpass Tier 4 EPA mandates. It's simply part of YANMAR's history of innovation and dedication to producing the highest-quality engines and our proven commitment to serving the sustainability of the land.

Strength and Efficiency

Our three-cylinder liquid-cooled diesel engines rely on innovative fuel-injection systems and combustion chambers to create an unbeatable level of power and efficiency. The result is more power to get through the heaviest load, and more efficiency to get every job done on less fuel.



YANMAR



**YT235 WITH FACTORY-INSTALLED
CAB WITH HEAT & A/C, LOADER,
AND ROTARY CUTTER**



THE COMFORT CAB



Convenient controls include standard auto throttle



Tilt steering



Side-by-side forward/reverse pedal



Flat, walk-through floor and large, anti-slip step

Love your productivity.

The optional cab on our YT line creates a new level of comfort with heat and air conditioning both sealed in. The high-backed, deluxe seat includes standard armrests. There's even a convenient operator's manual storage. Every detail has been considered not just for your physical comfort, but for your optimum productivity and efficiency. With YANMAR, comfort is never a tradeoff with productivity.

Blueberry
BriteBlue



YT235 OPEN PLATFORM
TRACTOR, LOADER,
AND MID-MOUNT MOWER



YANMAR

YT235

Love your
YANMAR.

Take a look at the YT235.



Mid-mount Mower Specs:

- Heavy-duty, welded, fabricated design
- Drive-over attach and detach
- 60" width
- Gear box driven mower deck

POWERFUL BY DESIGN



- Rear remote (optional)
- Tractor style draw-bar (standard)
- Tire availability (R1 Ag, R3 Turf, R4 Industrial)
- Continuous Live Independent PTO

Bold and Modern Style

Every version of the YT235 offers a clean, bold and modern style while maintaining the highly efficient engineering and craftsmanship that has defined YANMAR for more than a century. From the first glance through the first drive, the YT line delivers an experience that's as captivating as it is effective.

Technological Superiority

The advance design of the YT line is only the beginning. The YT235 is built to help you be more efficient and therefore more productive every day. From in-cab controls to under-the-hood engineering, the innovation of the YT235 goes much deeper than stunning aesthetics.





**YT235 WITH FACTORY-INSTALLED
CAB WITH HEAT & A/C, LOADER,
AND BOX SCRAPER**



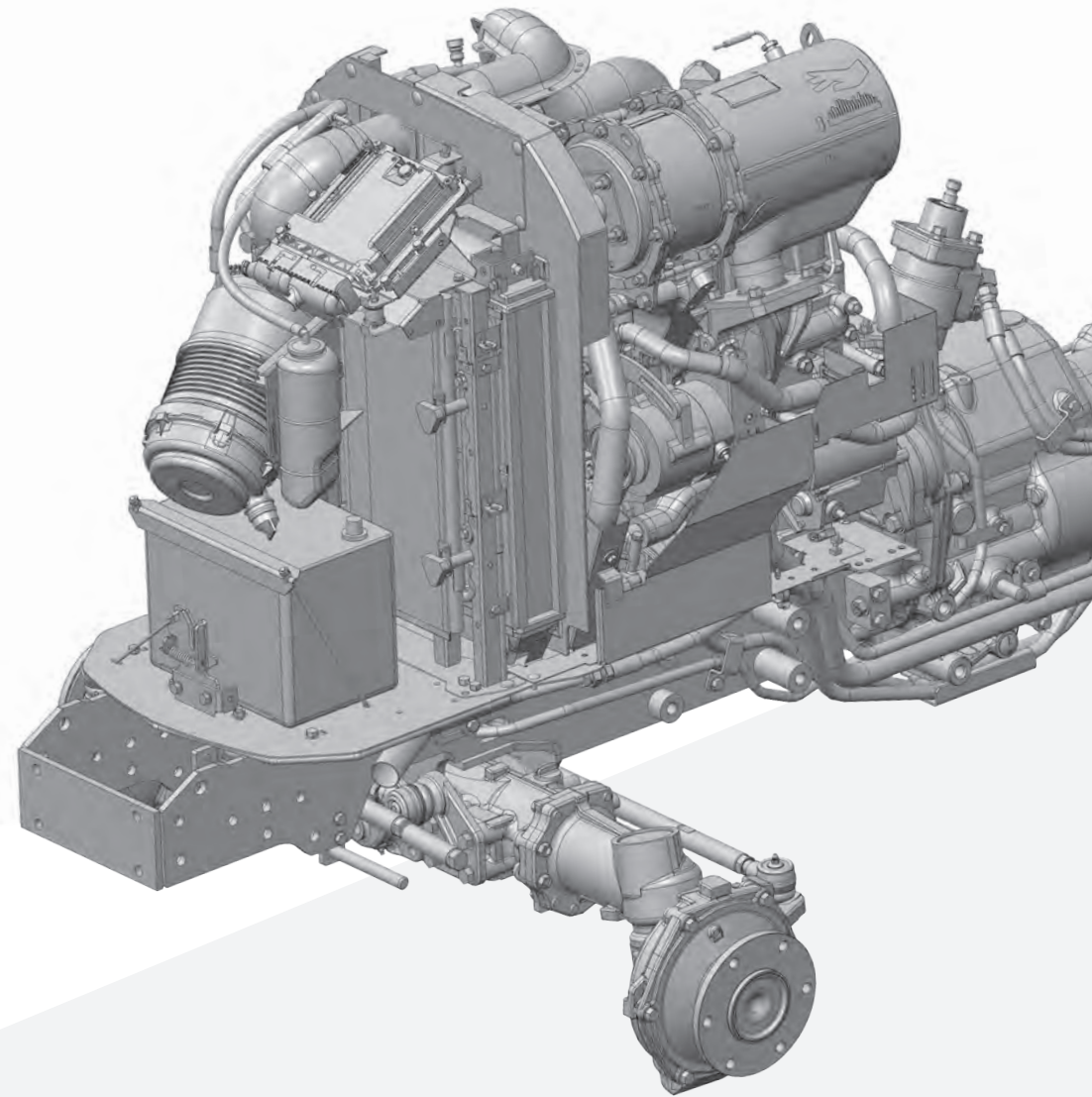
PERFORMANCE LINK DRIVETRAIN FROM YANMAR

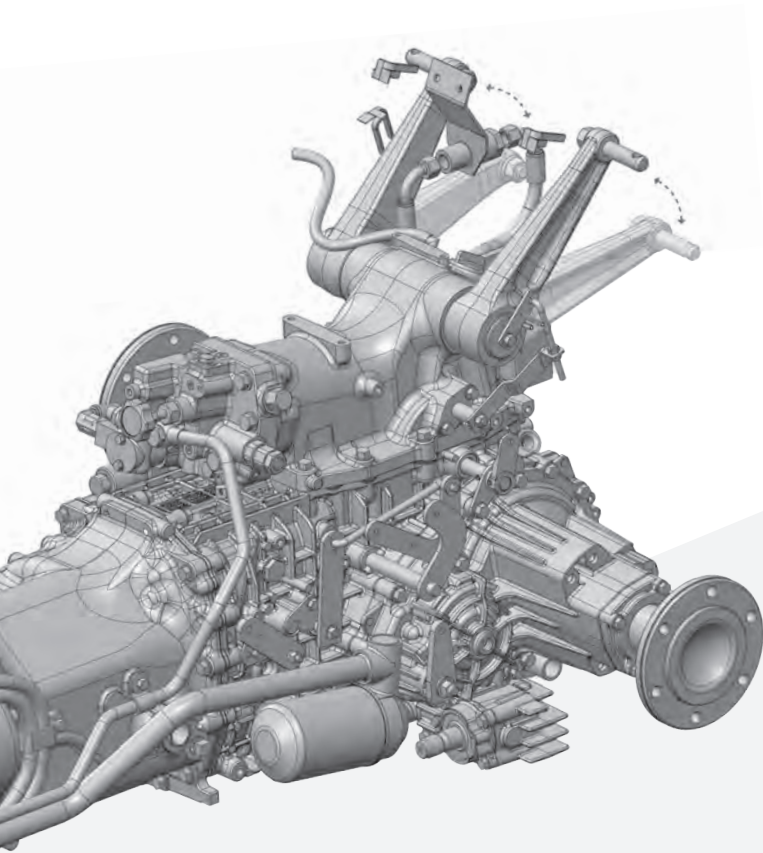
Twin Pedal Convenience

The YT235 comes with twin, side-by-side control pedals providing a more comfortable, precise and intuitive operation. The twin pedals allow selecting both speed and direction of travel with a touch of the toe. The HST pedals are made of steel, rubber and other rugged materials in contrast to competitors' HST pedals made of one-piece molded plastic composite materials.

Hydrostatic Transmission

The YT235 is equipped with a hydrostatic transmission that gives you an unlimited choice of tractor speeds. Quickly find the ideal speed, for the easiest to the most demanding tractor operations. And easier yet, the YT235 provides three-speed ranges controlled by a left-hand shift lever.





Love your **reliability.**

Harmony with the land begins with the harmonious relationship between engine, transmission and axle. YANMAR produces all major drivetrain components in-house to ensure perfect fit, balance and overall reliability. We call it Performance Link Technology, and it's why every YANMAR tractor delivers a smoother, more comfortable ride with less noise, more horsepower and more efficiency.



**YT235 OPEN PLATFORM
TRACTOR, LOADER,
AND POSTHOLE DIGGER**



Love your versatility.

There's a tool for every job, every day of every season. The entire YT line is strategically engineered with the attachment use in mind, never as an afterthought. For this reason, YANMAR designs, builds and tests our loaders right at our U.S. headquarters in Adairsville, Georgia, demonstrating our commitment to a more versatile, user-friendly operation.

Loader Attachments

The newly designed auto stand system for easy mounting and dismounting is standard on all YT model loaders. In addition, the industry-standard, skid-steer-style loader quick attachment systems allow for easy use of a wide array of loader attachments such as:

- Pallet forks
- Grapples
- Bale spears

Optional Front Attachments*

- Snow blower
- Plow blade

* Requires front hitch and PTO kit



YEAR-ROUND PERFORMANCE



Optional Rear Attachments

- Landscape rakes
- Rear blades
- Rotary tillers
- Grading scrapers and box blades
- Disc harrows
- Stump grinder
- Quick hitch
- Rotary cutters
- Finish mowers
- Post hole digger
- Precision seeder
- Food plot seeder
- Backhoe

B75 Backhoe

Digging depth (2' flat bottom)	90"
Swing arc	180°
Bucket cylinder digging force	3,323 lbf
Dipper stick cylinder digging force	2,192 lbf
Bucket widths	9"-24"
Mechanical or hydraulic thumb kit (optional)	



**YT235 OPEN PLATFORM
TRACTOR WITH LOADER,
AND MID-MOUNT MOWER**



YANMAR

YANMAR

YT235

YT235 (HST)

Powertrain	YT235 (HST)	
	ROPS	CAB
Maker	YANMAR	
Model	3TNV88C (Tier 4)	
PTO power (@ 2,800 RPM)	27 HP (20.1 kW)	
Gross power	34.2 HP (26.1 kW)*	
Rated RPM	2,800 RPM	
Bore and stroke	88 x 90 mm	
Total displacement	100.1 cu. In. (1.642 L)	
Combustion system	Common Rail Direct Injection	
Air cleaner	Dual Stage Cyclonic (Resin 5.5 in.)	
Aspiration	Naturally aspirated	
Cooling system	Liquid cooled	
Number of cylinders	3	
Battery	540 CCA	
Alternator	40/55	
Fuel tank	7.4 gal. (28 L)	

Dimensions

	ROPS	CAB
Wheelbase	65" (1650 mm)	65" (1650 mm)
Width (with R4 tires)	58.3" (1482 mm)	58.3" (1482 mm)
Overall length (with 3PH and R4 tires)	116.9" (2970 mm)	116.9" (2970 mm)
Overall height (with R4 tires)	89.0" (2261 mm)	83.6" (2123 mm)
Ground clearance (with R4 tires)	10.8" (274 mm)	10.8" (274 mm)
Weight (with ROPS, R4 tires, full fluid)	2,558 lbs. (1160 kg)	2,910 lbs. (1320 kg)

Traveling Speeds

Forward (with R4 tires)	0 – 11.7 mph (0 – 18.9 kmh)
Reverse (with R4 tires)	0 – 8.2 mph (0 – 13.2 kmh)

*As rated by engine manufacturer. Values published are for descriptive purposes only and YANMAR reserves the right to change the values.

YT235 (HST)

Drivetrain	YT235 (HST)	
	ROPS	CAB
Transmission type	Hydrostatic (Dual Touch Pedal)	
Rear differential lock	Foot pedal engagement	
2WD/4WD engagement	Selectable	
Brake	Wet disc	
Number of ranges	3	
Rear PTO/RPM	540 RPM	
Mid PTO/RPM	2,013 RPM	

Hydraulics

Pump capacity (steering)	4.1 GPM (15.5 L/min) @ 2,800 RPM
Pump capacity (implement)	7.1 GPM (26.8 L/min) @ 2,800 RPM
Relief valve	2,425 PSI (16.7 MPa)
3-point hitch	Category 1
Control	Position control, open center
3-point lift capacity (standard)	2,205 lbf. (1000 kgf)
3-point lift capacity at 24" (61 cm)	1,764 lbf. (800 kgf)
4-way loader control valve	Standard
Power steering	Fully hydraulic

Features and Options

Auto throttle	Standard	
Loader control valve and joystick	Standard	
Cruise control	Standard	
Radio	N/A	Optional
12V outlet	Standard	

Tire Size

Front	YT235 (HST)		Rear	YT235 (HST)	
	R1	R3		R1	R3
	R1	6" – 14"		R1	9.5" – 22"
	R3	25" x 8.5" – 14"		R3	13.6" x 16"
	R4	25" x 8.5" – 14"		R4	15" – 19.6"

B75 Backhoe

Maximum digging depth	92" (2339 mm)
Digging depth (2' flat bottom)	90" (2286 mm)
Swing arc	180°
Loading height (bucket at 60°)	73" (1854 mm)
Reach from centerline of swing pivot	119" (3022 mm)
Transport height (maximum)	74" (1879 mm)
Bucket rotation	180°
Loading reach (bucket at 60°)	46" (1168 mm)
Undercut	29" (736 mm)
Stabilizer spread – up position	52" (1320 mm)
Stabilizer spread – down position	83" (2108 mm)
Bucket cylinder digging force	3,323 lbf. (1507 kgf)
Dipperstick cylinder digging force	2,192 lbf. (994 kgf)
Operating pressure	2,429 PSI (16.7 MPa)
Ramp angle (with industrial tires)	15°
Street pads	Optional
Bucket options	Various (9" – 24")
Weight	1,208 lbs. (548 kg)

M60F Mid-Mount Mower

Discharge type	Side discharge
Mounting method	Ground following
Shell type	Fabricated 10 gauge
Cutting width	60" (1524 mm)
Cutting height	1-4" (25.4 – 101.6 mm)
Number of blades	3
Blade width	2.6" (65 mm)
Blade thickness	1/4" (6 mm)
Weight	284 lbs. (129 kg)

YL310 Loader

Maximum lift height (to bucket pivot pin)	84" (2134 mm)
Reach with attachment on ground	63" (1600 mm)
Dump clearance	60" (1524 mm)
Dump reach at maximum lift height	23" (584 mm)
Maximum dump angle	43°
Bucket rollback angle	27°
Digging depth at bucket level	4.5" (114 mm)
Bucket width	60" (1524 mm)
Lift capacity at pivot pins	1,300 lb. (590 kg)
Lift capacity at 500 mm forward of the pivot pins	957 lb. (434 kg)
Breakout force 500 mm forward of the pivot pins	1,549 lb. (703 kg)
Breakout force at pivot pins	2,105 lb. (955 kg)
Raising time to full height without load	2.6 sec.
Lowering time without load (power down)	2.4 sec.
Bucket dumping time	1.0 sec.
Bucket rollback time	1.5 sec.
Bucket capacity	8.48 cu. ft. (0.24 m ³)
Loader valve	Standard
Grille guard	Standard
Bucket weight	298 lb. (135 kg)
Loader weight (without bucket)	617 lb. (280 kg)

Note: Attachments sold separately. Please see your local dealer for details.





Warranty Coverage for Your Tractor †

Tractor (private individual usage)	24 months or 2,000 hours
Power train (engine and transmission core components)	10 years or 3,000 hours
Attachments	1-year limited warranty

**Based on backhoe manufacturers relief setting*

†See your local YANMAR Independent Dealer for warranty coverage and any details.

TO LEARN MORE ABOUT
THE YT235
PLEASE VISIT
YANMARTRACTOR.COM

-  <https://www.facebook.com/yanmartractoramerica>
-  <https://www.instagram.com/yanmaramerica>
-  <https://www.linkedin.com/showcase/yanmar-tractor>
-  <https://www.youtube.com/user/yanmarusa>

YANMAR America Corporation
101 International Pkwy, Adairsville, GA 30103
770.877.9894

www.YANMARtractor.com

The information in this brochure is accurate as of the date of printing and subject to change. All rights reserved by and belong to YANMAR®.
©2021 YANMAR America Corporation. YT21-170 11/03

YANMAR has a corporate policy of continuous product improvement and development; therefore data, specifications, and warranty are subject to change without any advance notice. There may be differences between the specifications and illustrations contained in this publication and the actual equipment. Equipment components produced by other manufacturers may be shown in photographs in this publication for the purpose of illustration only and is not intended as an endorsement of that particular equipment or its suitability. Inspect equipment before using it and be sure it is operating properly. The product depictions are not meant to be used or relied upon as a substitute for the safety and use information that is published in the respective operator's manual. Before operating a machine, read, understand, and follow all instructions of the manual and on the machine. YANMAR disclaims all representations, express or implied, or any liability from the use of this publication.